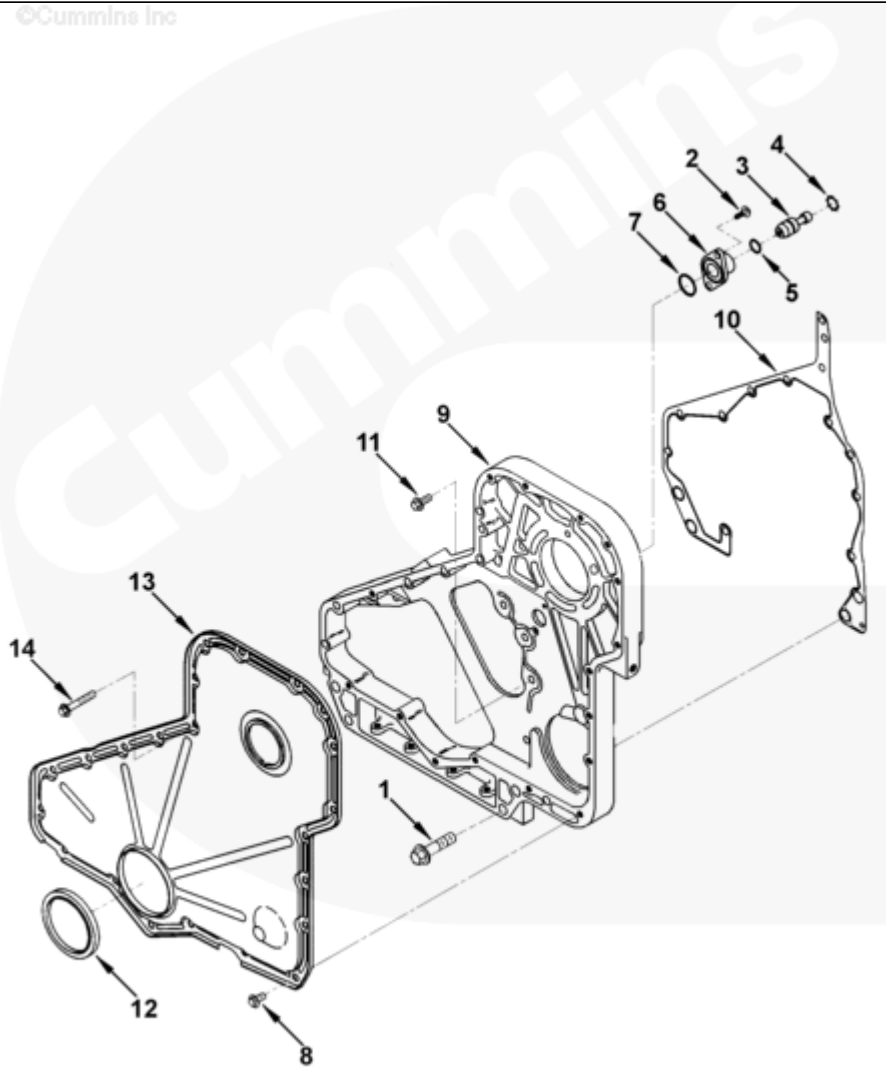




Parts Catalog - Option Detail

Electronic Parts Catalog - Option Detail				
Option	Group	Graphic	Film Card	Date
BP9827-07	01.06	bp951gi	Z	25-JAN-05
Engines	6C8.3, C GAS PLUS CM556, G8.3, G8.3 CM558, GTA8.3 CM558, ISC CM2150, ISC CM554, ISC CM850, ISC8.3 CM2250, ISC8.3 G CM2180 C101, ISL CM2150, ISL CM554, ISL CM850, ISL G CM2180, ISL8.9 CM2150 L110, ISL8.9 CM2880 L112, ISL9 CM2150 SN, ISL9 CM2250, ISL9 CM2350 L101, ISL9 CM2350 L111, ISLE4 CM850, L GAS PLUS CM556, L8.9, L8.9 L121, L8.9G CMOH2.0 L125B, L9 CM2350 L116B, L9 CM2350 L119B, L9 CM2350 L120C, L9 CM2350 L123B, L9.3 L105, L9.5 L117, L9N CM2380 L124B, QSC8.3 CM2250, QSC8.3 CM2880 C102, QSC8.3 CM554, QSC8.3 CM850(CM2850), QSL9 CM2250, QSL9 CM2250 L115, QSL9 CM2350 L102, QSL9 CM2350 L107, QSL9 CM2350 L118, QSL9 CM2350 L122, QSL9 CM554, QSL9 CM850(CM2850), QSL9 G CM558, QSL9 M CM2250 L106, QSL9.3 CM2880 L113			



bp951gi

Cart	Ref No	Part Number	Part Description	Required	Remarks
View My Cart					
		BP9827-07	Front Gear Cover		MR - COVER, FRONT GEAR...(More)
					Family: C Series
					Noise Dampening Panel
					Provision: No
					PTO Location: Low
					Front Support Provision: No
					Access For Tachometer
					Drive: Yes
					Gear Housing Material: Cast
					Aluminum
					Fuel Pump:
					Bosch P3000
					Bosch P7100
					3917780 Gasket and 3916193
					Gear Cover May Be Substituted
					By Brazil for 3925230 Gear
					Cover
					BZL May Use P/N 3971264
					Instead of 3926840
					BZL May Use P/N 3358252
					Instead of 3938737
<input type="checkbox"/>	1	3902116	Hexagon Flange Head Cap Screw	4	M12 X 1.75 X 50.
<input type="checkbox"/>	2	3907998	Round Head Cap Screw	2	M5 x 0.80 x 17
<input type="checkbox"/>		3913995	Timing Pin Housing	1	Purchase Individual Parts
<input type="checkbox"/>	3	3903924	Timing Pin	1	
<input type="checkbox"/>	4	3904849	Retaining Ring	1	
<input type="checkbox"/>	5	3913994	O-Ring Seal	1	

<input type="checkbox"/>	6	3919683	Timing Pin Housing	1	
<input type="checkbox"/>	7	3915772	Rectangular Ring Seal	1	
<input type="checkbox"/>	8	3925883	Hexagon Flange Head Cap Screw	16	M8 X 1.25 X 16
<input type="checkbox"/>	9	3926518	Gear Housing	1	
<input type="checkbox"/>	10	3938737	Gear Housing Gasket	1	
<input type="checkbox"/>	11	3926846	Hexagon Flange Head Cap Screw	5	M8 X 1.25 X 20.
		3926840	Gear Cover	1	
	12	3921927	Oil Seal	1	
	13	3925230	Gear Cover	1	
<input type="checkbox"/>	14	3926863	Hexagon Flange Head Cap Screw	6	M8 X 1.25 X 50.
<input type="checkbox"/>		3942535	Oil Seal	A/R	Kit 4024883 Includes Installation Tool.
		3921927	Oil Seal	1	
<input type="checkbox"/>		3941786	Seal Carrier	1	